

Pivot hinge



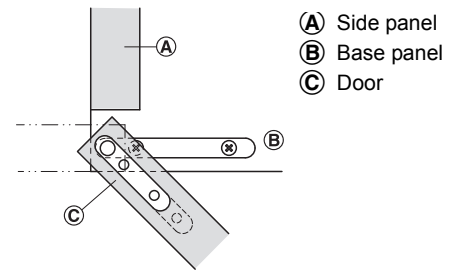
5

- > Opening angle: 180°
- > Material: Steel
- > Finish: blue galvanized
- > Flange thickness: 3 mm
- > Opening angle restraint: Without stop
- > Installation: For screw fixing
- > Load bearing capacity: <20 kg
- > Spacer ring 1 mm

Note

One pair is required for each door

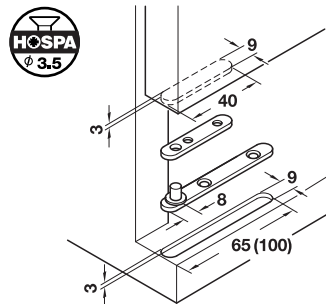
Application



- (A) Side panel
- (B) Base panel
- (C) Door

Hinges for Concealed Mounting

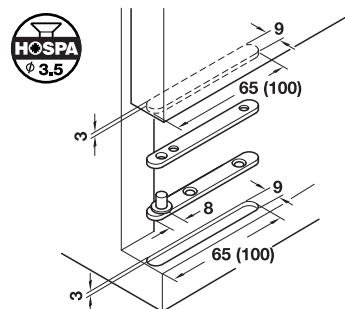
→ **With one short flange**



Length mm	Cat. No.
65	361.02.511
100	361.02.531

Packing: 1 or 20 pairs

→ **With identical flanges**



Length mm	Cat. No.
65	361.03.511
100	361.03.531

Packing: 1 or 20 pairs

DGH-M 2017, HDE-en, 10/16; Dimensional data not binding. We reserve the right to alter specifications without notice.